

MR1060 Series

Integrated HD Audiovisual Communication Terminal

MR1060 is a new generation of integrated HD audiovisual communication terminal, providing rich interfaces, built-in high-performance digital signal processing chip. It also supports dual 1080P60 HD video and AAC-LD broadband voice encoding and decoding. With ultimate conferencing and collaboration experience offered, it is an ideal choice for video conferencing, command control, online education, tele-medicine and other professional applications.



Key Features

Strong Compatibility

- Support H.323 / SIP dual-protocol stack, which make it achieve good interoperability with the industry standard terminals, MCU, GK, etc. It is convenient for customers' expansion and upgrading.
- The rich interface configuration make it fit for different application environment and compatible with mainstream audio/video input/output devices. It also can achieve rapid deployment, reducing the times to modify wiring.

Superior performance to enhance the best user experience

- Built-in high-performance digital signal processing chip, support dual 1080p60 from both mainstream and auxiliary stream encoding simultaneously (optional), providing single-display, dual display and rich video window layout to enhance the user experience.
- Audio supports AAC-LD broadband codec, and use optimal algorithm to achieve echo cancellation, noise suppression and automatic gain control, thus to ensure high-fidelity, low-latency audio transmission.
- Qos settings and unique media error correction (MEC) technology can guarantee smooth audio and video effects under high bit error rate condition (priority to ensure audio quality under network degradation condition)

User-friendly design for operation and maintenance

- MR1060 adopts high integrated structural design (integrated camera), to present a simple and fashionable appearance, and provide matched brackets to achieve wall mount and upside down installation
- Built-in gravity sensor, making the image flip automatically under upside down mount mode.
- Flat UI style design, to make it easier for user to operate.
- Remote controller integrated part of function buttons, making it convenient and practical to achieve common function with only one click.
- U disk, web pages and other upgrades ways will help post-maintenance and system upgrades.
- Optional high quality 360 degree omnidirectional digital microphone array; simple wiring is helpful to quick installation.

Multiple security mechanism ensures the security of content transmission.

- The system applies AES media encryption technology.
- User certificates, password protection, HTTPS security links and other encryption measures ensures safe operation of the system.
- Supports H.460, NAT, and configurable port ranges for firewall traversal

Tel: +86-755-33288582

E-mail: claire@mingricctv.com

Web: www.minrraycam.com

Address: 5&6 Floor, Building 13-A, ZhongHaiXin Technology Park, Ganli Road, Lilang Avenue, Buji, Shenzhen 518112, China

Technical Specification

Model	MR1060
Communication Protocol	H.323 SIP
Built-in MCU	Support 1+5 network connection
Camera Features	Optical Zoom:12X Tilt:-30°~+30° Pan:-170~+170° Video Signal Format:1080P60/50/30/25/15,720P60/50/30/25/15 Support Auto Focus/Auto White Balance/Auto BLC Support PTZ control
Camera Control	Support FECC remote control protocol
Video Encoding	H.261, H.263, H.264, H.264HP
Mainstream video Input interface & resolution	one channel integrated camera(built-in) video input Video formats supported by 1920x1080@60Hz (1080p60) 1920x1080@50Hz (1080p50)
Auxiliary stream video Input interface & resolution	one channel DVI-I video input Video formats supported by 1920x1080 (1080P) 1280x720 (720P) 1600x1200 (UXGA) 1680x1050 (WSXGA+) 1400x1050 (SXGA+) 1366x768 (WXGA+) 1280x1024 (SXGA) 1024x768 (XGA) 800x600 (SVGA)
Video Output (two channels)	Main camera video output interface: HDMI Auxiliary video output interface: HDMI Video formats supported:1920x1080(1080P),1280x720(720P)
Dual stream supported	H.239 (H.323) dual video stream BFCP (SIP) dual video stream
Audio Encoding	G.711A, G.711U, G.722, G.722.1C, G.728, G.729A, AAC-LD

Tel:+86-755-33288582

E-mail:claire@mingricctv.com

Web:www.minrraycam.com

Address: 5&6 Floor,Building 13-A,ZhongHaiXin Technology Park,Ganli Road,Lilang Avenue,Buji,Shenzhen 518112,China

Model	MR1060
Audio Input (four channels)	1xXLR 1xRCA 1x Microphone array 1x HDMI audio
Audio Output (two channels)	1xRCA, Support dual channel and stereo 1xHDMI audio
Microphone array	Support 48KHz sampling, 6m audio pick up distance,360°omnidirectional microphone
Audio processing technology	Echo cancellation, noise suppression and automatic gain control
USB Interface	USB2.0(for FM upgrading and maintenance)
LAN Interface	10/100/1000M LAN
LAN Protocol	IPv4,IPv6,DHCP,NAT,QOS,NTP,SNMP
Bandwidth requirement	64kbp/s-6Mbp/s
Security	AES HTTPS Certificate Management interface password protection TV configuration interface password protection
Control ways	Remote control+ TV interface Webpage management
Language	Chinese/English
Supply Adapter	AC 110-240V, 50Hz-60Hz to DC 12V Supply Adapter
Consumption	<60W
Dimension	270mm(L)*184mm(W)*187mm(H)
Weight	1.94kg
Working Temperature	0-40℃
Working Humidity	10%-80%
Store Temperature	-40-70℃
Store Humidity	0%-95%
Accessory matched	Power adapter, remote controller, HDMI cable (2 meters)
Accessory optional	Ominidirectional digital microphone array, HDMI-DVI cable(connect to HDMI and DVI respectively)

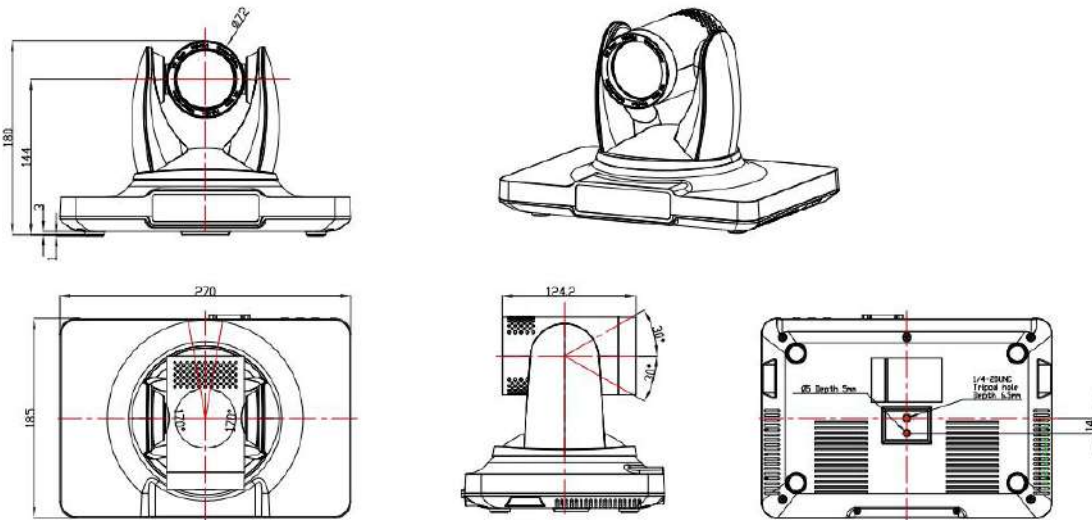
Dimension (unit: mm)

Tel:+86-755-33288582

E-mail:claire@mingricctv.com

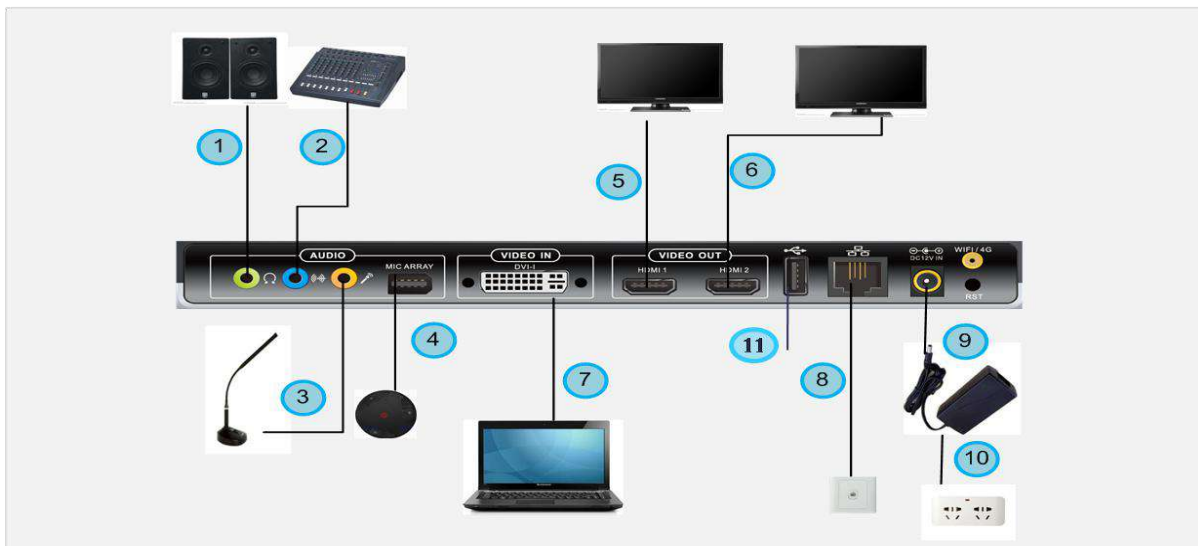
Web:www.minrraycam.com

Address: 5&6 Floor,Building 13-A,ZhongHaiXin Technology Park,Ganli Road,Lilang Avenue,Buji,Shenzhen 518112,China



Installation

Pls fix the device at the position you want. You should save space for cable connection. Please connect the device with the following instructions:



1. Audio output:
 - Option 1: Connecting acoustics.
 - Option 2: Use main monitor⑤ to have audio output
2. Audio input (Attention: Please use one input only at a time, or it will affect audio processing.)
 - Option 1: Connect with console②
 - Option 2: Connect with CANNON Microphone③ (need to buy 3.5mm balance cable to convert CANNON head)
 - Option 3: Connect with omnidirectional digital microphone array④ (Suggested)
 - Option 4: Connect with auxiliary video input device⑦
3. Video output
 - Connect Main Display/Monitor with HDMI cable⑤

Tel: +86-755-33288582

E-mail: claire@mingricctv.com

Web: www.minrraycam.com

Address: 5&6 Floor, Building 13-A, ZhongHaiXin Technology Park, Ganli Road, Lilang Avenue, Buji, Shenzhen 518112, China

Connect Auxiliary Display/Monitor with HDMI cable⑥

4. Video input

Connect auxiliary streaming video Input⑦ with DVI(HDMI) cable.

5. Network connection

Option 1: Wired network connection⑧

6. Maintenance and FM upgrading

Via USB2.0 port ⑪ or Wired network connection⑧

7. Power supply Connection⑨

Connect with AC 12V Power supply

After confirmation of the above connection, connect the DC power adapter with AC power supply, then power on.

Omnidirectional digital microphone MR05

MR05 360 degree omnidirectional digital microphone adopts 48KHZ sampling, supports 6-meter pickup radius, and 10-meter transmission cable.

Sampling frequency: 48KHz

Frequency response: 100Hz – 22kHz

Sensitivity: 38dB

Pickup distance: 6 meters

Pickup range: 360°

Transmission cable: 10 meters

Ambient temperature: 0°C ~ 40°C

Algorithm: Echo cancellation, noise suppression and automatic gain control



Tel:+86-755-33288582

E-mail:claire@mingricctv.com

Web:www.minrraycam.com

iXin Technology Park,Ganli Road,Lilang Avenue,Buji,Shenzhen 518112,China